

Piping Package Nomenclature

P 2	1 1 1	1 2 1 3	1 2 1 1	2
Piping Package P = Piping Package Valve Type 2 = 2-way CCV 3 = 3-way CCV E = ePIV / EV P = PIQCV Q = QCV Z = Zone Options S = Supply Side Package X = Extension Package	Union Valve Size 1 = ½" 2 = ¾" 3 = 1" 4 = 1...¾" 5 = ¾...½" A = 1½" B = 1¼" C = 2" D = 1¼...1" E = 1½...1¼" F = 2...1½" G = 1...½" H = 1¼...¾" J = 1½...1" K = 2...1¼" Body End 1 = Female NPT 2 = Copper Sweat Configuration 1 = Standard Tailpiece End Male NPT Only	Isolation Valve / Manual Balance Valve Valve Size 1 = ½" 2 = ¾" 3 = 1" 4 = 1...¾" 5 = ¾...½" A = 1½" B = 1¼" C = 2" D = 1¼...1" E = 1½...1¼" F = 2...1½" G = 1...½" H = 1¼...¾" J = 1½...1" K = 2...1¼" Body End 1 = Female NPT 2 = Copper Sweat Configuration 1 = Standard Tailpiece End Male NPT Only	Strainer / Isolation Valve Valve Size 1 = ½" 2 = ¾" 3 = 1" 4 = 1...¾" 5 = ¾...½" A = 1½" B = 1¼" C = 2" D = 1¼...1" E = 1½...1¼" F = 2...1½" G = 1...½" H = 1¼...¾" J = 1½...1" K = 2...1¼" Body End 1 = Female NPT 2 = Copper Sweat Configuration 1 = Standard Tailpiece End (Strainer Option) 1 = Female NPT 2 = Copper Sweat 3 = Male NPT Tailpiece End (Isolation Valve Option) 0 = Select "0" for Isolation Valve Option Male NPT Only	Hose Diameter & Length 1 = ½" (12" length) 2 = ½" (24" length) 3 = ¾" (12" length) 4 = ¾" (24" length) 5 = 1" (12" length) 6 = 1" (24" length) 7 = ½" (18" length) 8 = ¾" (18" length) 9 = 1" (18" length) A = 1¼" (18" length) H = 1¼" (24" length) B = 1¼" (36" length) C = 1½" (18" length) D = 1½" (24" length) E = 1½" (36" length) F = 2" (24" length) G = 2" (36" length)

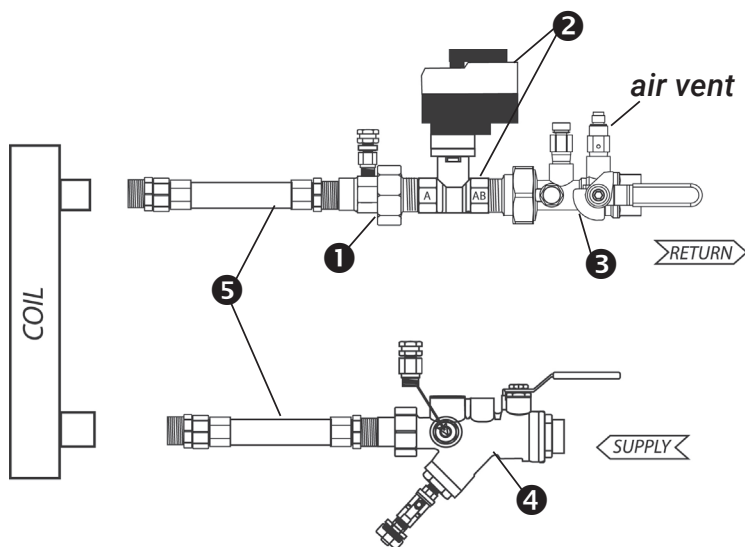
Please refer to typical Piping Package layouts on pages prior to ordering. Nomenclature chart does not include all configuration options or press connection types. Manual Balance Valves require flow consideration for proper sizing. Download Select-Pro software for complete options and available configurations. Consult factory for lead time. Non-standard items have increased lead time.

Non-Standard items include:

- 1¼...2" packages of all types
- All sizes of Unions, Manual Balance Valves, Strainers and Isolation Valves without P/T ports
- All sizes of Unions, Manual Balance Valves, Strainers and Isolation Valves with extensions
- All sizes of components with press fit connections

Note: Piping Package smart code does not include the Belimo control valve in the price.

Piping Packages for 2-way Characterized Control Valves (CCV)



2-way CCV (½...2") Return Side Package (Standard)

- ❶ Union
- ❷ Belimo Valve and Actuator (Not included in Smart Code or List Price)
- ❸ Manual Balance Valve
- ❹ Strainer
- ❺ Optional hoses are available

Supply side packages feature the Belimo control valve on the supply side of the coil and the above components arranged in a supply configuration. Refer to the SelectPro software for supply side configurations.



5-year warranty

Union Technical Specifications

Fluid	chilled or hot water, 60% glycol
Sizes	½", ¾", 1", 1¼", 1½", 2"
Materials:	
Body	forged brass
Union nut	forged brass
Tailpiece	forged brass
O-ring	EPDM
Readout port body & cap	extruded brass
Readout port seal	Nordel
Pressure/temperature ratings:	
½...2"	600 psi
Component temperature	250°F maximum
Fluid temperature range	0...250°F [-18...+120°C]

Strainer Technical Specifications

Fluid	chilled or hot water, 60% glycol
Sizes	½", ¾", 1", 1¼", 1½", 2"
Materials:	
Body	forged brass
Union nut	forged brass
Ball	chrome plated/forged brass
Stem & gland nut	forged brass
Tailpiece	forged brass
Seals & packing	PTFE
Stem o-rings	Viton
Strainer screen	304 stainless steel /20 mesh standard
Readout port body & cap	extruded brass
Readout port seal	Nordel
Pressure/temperature ratings:	
½...2"	600 psi
Component temperature	325°F maximum
Fluid temperature range	0...250°F [-18...+120°C]
Leakage	0%

Manual Balance Valve Technical Specifications

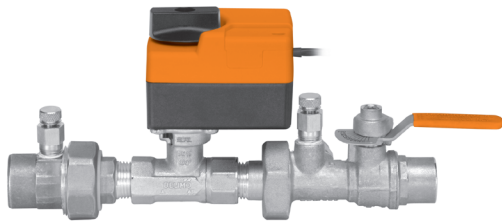
Fluid	chilled or hot water, 60% glycol
Sizes	½", ¾", 1", 1¼", 1½", 2"
Materials:	
Body	forged brass
Ball	chrome plated/forged brass
Stem	extruded brass
Union	forged brass
Tailpiece	forged brass
Gland nut	extruded brass
Seats & packing	virgin PTFE
O-rings	viton
Venturi	extruded brass
Readout port body & cap	extruded brass
Readout port seal	Nordel
Memory stop	forged brass
Pressure/temperature ratings:	
½...2"	400 psi
Component temperature	300°F maximum
Fluid temperature range	0...250°F [-18...+120°C]
Leakage	0%

Hose Technical Specifications

External braiding	stainless steel AISI 304
Crimping ferrules	stainless steel AISI 304
Connectors	machined brass
Fiber gasket	BA-U fiber washer
Core	formulated EPDM
Operating & burst pressure rating:	
½"	375 psi operating *400 psi <195°F [90°C] 1500 psi burst pressure
¾"	300 psi operating *400 psi <195°F [90°C] 1200 psi burst pressure
1"	225 psi operating 900 psi burst pressure
1¼"	200 psi operating 800 psi burst pressure
1½"	175 psi operating 600 psi burst pressure
2"	150 psi operating 500 burst pressure
Component temperature	-5...+230°F [-20...+110°C] less than 41°F with use of glycol additive

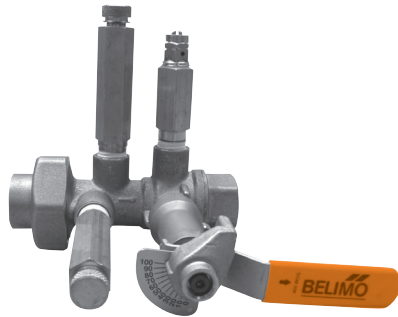
Note: Fluid temperature may be limited by the hose rating

W_17000-04/21 - Subject to change. © Belimo Aircontrols (USA), Inc. All prices are in Canadian Dollars (CAD)



COMPONENT ORDER NOMENCLATURE

EXAMPLE: P2	111	1111	1111	1
	Union PPU111	MBV PPL1111	Strainer PPS1111	Hose PHOSE1



Extension Packages Include:

- Extended handle for Manual Balance Valve, Isolation Valve and Strainer
- Extended P/T ports for Union, Manual Balance Valve, Strainer or Isolation Valve
- Extended air vent for Manual Balance Valve and Isolation Valve

All combinations of reorder numbers are not reflected. Please use the nomenclature or download the Select-Pro software at www.belimo.ca to configure other possible combinations.

** Manual Balance Valve require flow consideration for proper selection. Reference 17-1 or Select-Pro for flow ranges.

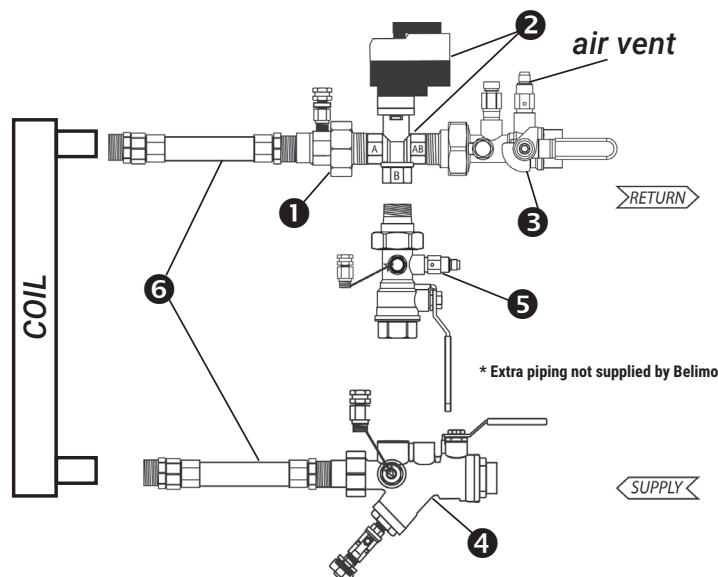
Please Note: For return policy, refer to Piping Package section in Terms and Conditions.

* Contains Non-Standard Items

PIPING PACKAGE SMARTCODE (CCV)			UNION	MANUAL BALANCE VALVE**	STRAINER	LIST PRICE
Piping Package Model # (2-way CCV) without hose	Valve Nominal Size		Body End/ Tailpiece End	Body End/ Tailpiece End	Body End/ Tailpiece End	
	Inches	DN [mm]				
P2 111 1111 1111 0	½	15	F-NPT/M-NPT	F-NPT/M-NPT	F-NPT/F-NPT	\$536
P2 121 1211 1212 0	½	15	Sweat/M-NPT	Sweat/M-NPT	Sweat/Sweat	\$544
P2 131 1111 1113 0	½	15	M-NPT/M-NPT	F-NPT/M-NPT	F-NPT/M-NPT	\$536
P2 11B 11B1 11B3 0*	½	15	Press/M-NPT	Press/M-NPT	Press/F-NPT	\$695
P2 211 2111 2111 0	¾	20	F-NPT/M-NPT	F-NPT/M-NPT	F-NPT/F-NPT	\$600
P2 221 2211 2212 0	¾	20	Sweat/M-NPT	Sweat/M-NPT	Sweat/Sweat	\$600
P2 231 2111 2113 0	¾	20	M-NPT/M-NPT	F-NPT/M-NPT	F-NPT/M-NPT	\$600
P2 21B 21B1 21B3 0*	¾	20	Press/M-NPT	Press/M-NPT	Press/F-NPT	\$877
P2 311 3114 3111 0	1	25	F-NPT/M-NPT	F-NPT/M-NPT	F-NPT/F-NPT	\$789
P2 321 3214 3212 0	1	25	Sweat/M-NPT	Sweat/M-NPT	Sweat/Sweat	\$789
P2 331 3114 3113 0	1	25	M-NPT/M-NPT	F-NPT/M-NPT	F-NPT/M-NPT	\$789
P2 31B 31B4 31B3 0*	1	25	Press/M-NPT	Press/M-NPT	Press/F-NPT	\$1,174
P2 B11 B11A B111 0*	1¼	32	F-NPT/M-NPT	F-NPT/M-NPT	F-NPT/F-NPT	\$1,201
P2 B21 B21A B212 0*	1¼	32	Sweat/M-NPT	Sweat/M-NPT	Sweat/Sweat	\$1,201
P2 B31 B11A B113 0*	1¼	32	M-NPT/M-NPT	F-NPT/M-NPT	F-NPT/M-NPT	\$1,201
P2 B1B B1BA B1B3 0*	1¼	32	Press/M-NPT	Press/M-NPT	Press/F-NPT	\$2,202
P2 A11 A11B A111 0*	1½	40	F-NPT/M-NPT	F-NPT/M-NPT	F-NPT/F-NPT	\$1,617
P2 A21 A21B A212 0*	1½	40	Sweat/M-NPT	Sweat/M-NPT	Sweat/Sweat	\$1,442
P2 A31 A11B A113 0*	1½	40	M-NPT/M-NPT	F-NPT/M-NPT	F-NPT/M-NPT	\$1,617
P2 A1B A1BB A1B3 0*	1½	40	Press/M-NPT	Press/M-NPT	Press/F-NPT	\$2,670
P2 C11 C11C C111 0*	2	50	F-NPT/M-NPT	F-NPT/M-NPT	F-NPT/F-NPT	\$2,078
P2 C21 C21C C212 0*	2	50	Sweat/M-NPT	Sweat/M-NPT	Sweat/Sweat	\$2,073
P2 C31 C11C C113 0*	2	50	M-NPT/M-NPT	F-NPT/M-NPT	F-NPT/M-NPT	\$2,078
P2 C1B C1BC C1B3 0*	2	50	Press/M-NPT	Press/M-NPT	Press/F-NPT	\$4,504

PIPING PACKAGE SMARTCODE (CCV)			UNION	MANUAL BALANCE VALVE**	STRAINER	LIST PRICE
Piping Package Model # (2-way CCV) with short hose	Valve Nominal Size		Body End/ Tailpiece End	Body End/ Tailpiece End	Body End/ Tailpiece End	
	Inches	DN [mm]				
P2 111 1111 1111 1	½	15	F-NPT/M-NPT	F-NPT/M-NPT	F-NPT/F-NPT	\$662
P2 111 1211 1211 1	½	15	F-NPT/M-NPT	Sweat/M-NPT	Sweat/F-NPT	\$670
P2 111 11B1 11B3 1*	½	15	F-NPT/M-NPT	Press/M-NPT	Press/F-NPT	\$758
P2 211 2111 2111 3	¾	20	F-NPT/M-NPT	F-NPT/M-NPT	F-NPT/F-NPT	\$804
P2 211 2211 2211 3	¾	20	F-NPT/M-NPT	Sweat/M-NPT	Sweat/F-NPT	\$804
P2 211 21B1 21B3 3*	¾	20	F-NPT/M-NPT	Press/M-NPT	Press/F-NPT	\$982
P2 311 3114 3111 5	1	25	F-NPT/M-NPT	F-NPT/M-NPT	F-NPT/F-NPT	\$1,177
P2 311 3214 3211 5	1	25	F-NPT/M-NPT	Sweat/M-NPT	Sweat/F-NPT	\$1,177
P2 311 31B4 31B3 5*	1	25	F-NPT/M-NPT	Press/M-NPT	Press/F-NPT	\$1,418
P2 B11 B11A B111 A*	1¼	32	F-NPT/M-NPT	F-NPT/M-NPT	F-NPT/F-NPT	\$1,897
P2 B11 B21A B211 A*	1¼	32	F-NPT/M-NPT	Sweat/M-NPT	Sweat/Sweat	\$1,897
P2 B11 B1BA B1B3 A*	1¼	32	F-NPT/M-NPT	Press/M-NPT	Press/F-NPT	\$2,534
P2 A11 A11B A111 C*	1½	40	F-NPT/M-NPT	F-NPT/M-NPT	F-NPT/F-NPT	\$2,613
P2 A11 A21B A211 C*	1½	40	F-NPT/M-NPT	Sweat/M-NPT	Sweat/Sweat	\$2,438
P2 A11 A1BB A1B3 C*	1½	40	F-NPT/M-NPT	Press/M-NPT	Press/F-NPT	\$3,160
P2 C11 C11C C111 F*	2	50	F-NPT/M-NPT	F-NPT/M-NPT	F-NPT/F-NPT	\$4,200
P2 C11 C21C C211 F*	2	50	F-NPT/M-NPT	Sweat/M-NPT	Sweat/Sweat	\$4,195
P2 C11 C1BC C1B3 F*	2	50	F-NPT/M-NPT	Press/M-NPT	Press/F-NPT	\$5,798

PIPING PACKAGE SMARTCODE (CCV)			UNION	MANUAL BALANCE VALVE**	STRAINER	LIST PRICE
Piping Package Model # (2-way CCV) with long hose	Valve Nominal Size		Body End/ Tailpiece End	Body End/ Tailpiece End	Body End/ Tailpiece End	
	Inches	DN [mm]				
P2 111 1111 1111 2	½	15	F-NPT/M-NPT	F-NPT/M-NPT	F-NPT/F-NPT	\$700
P2 111 1211 1211 2	½	15	F-NPT/M-NPT	Sweat/M-NPT	Sweat/F-NPT	\$708
P2 111 11B1 11B3 2*	½	15	F-NPT/M-NPT	Press/M-NPT	Press/F-NPT	\$796
P2 211 2111 2111 4	¾	20	F-NPT/M-NPT	F-NPT/M-NPT	F-NPT/F-NPT	\$864
P2 211 2211 2211 4	¾	20	F-NPT/M-NPT	Sweat/M-NPT	Sweat/F-NPT	\$864
P2 211 21B1 21B3 4*	¾	20	F-NPT/M-NPT	Press/M-NPT	Press/F-NPT	\$1,042
P2 311 3114 3111 6	1	25	F-NPT/M-NPT	F-NPT/M-NPT	F-NPT/F-NPT	\$1,241
P2 311 3214 3211 6	1	25	F-NPT/M-NPT	Sweat/M-NPT	Sweat/F-NPT	\$1,241
P2 311 31B4 31B3 6*	1	25	F-NPT/M-NPT	Press/M-NPT	Press/F-NPT	\$1,482
P2 B11 B11A B111 B*	1¼	32	F-NPT/M-NPT	F-NPT/M-NPT	F-NPT/F-NPT	\$2,107
P2 B11 B21A B211 B*	1¼	32	F-NPT/M-NPT	Sweat/M-NPT	Sweat/Sweat	\$2,107
P2 B11 B1BA B1B3 B*	1¼	32	F-NPT/M-NPT	Press/M-NPT	Press/F-NPT	\$2,744
P2 A11 A11B A111 D*	1½	40	F-NPT/M-NPT	F-NPT/M-NPT	F-NPT/F-NPT	\$3,003
P2 A11 A21B A211 D*	1½	40	F-NPT/M-NPT	Sweat/M-NPT	Sweat/Sweat	\$2,828
P2 A11 A1BB A1B3 D*	1½	40	F-NPT/M-NPT	Press/M-NPT	Press/F-NPT	\$3,550
P2 C11 C11C C111 G*	2	50	F-NPT/M-NPT	F-NPT/M-NPT	F-NPT/F-NPT	\$4,546
P2 C11 C21C C211 G*	2	50	F-NPT/M-NPT	Sweat/M-NPT	Sweat/Sweat	\$4,541
P2 C11 C1BC C1B3 G*	2	50	F-NPT/M-NPT	Press/M-NPT	Press/F-NPT	\$6,144



3-way CCV (½...2") Return Side Package (Standard)

- ❶ Union
- ❷ Belimo Valve and Actuator (Not included in Smart Code or List Price)
- ❸ Manual Balance Valve
- ❹ Strainer
- ❺ Isolation Valve
- ❻ Optional hoses are available

*Note: Extra piping for Isolation Valve to CCV and Strainer is required (not supplied).

Supply side packages feature the Belimo control valve on the supply side of the coil and the above components arranged in a supply configuration. Refer to the SelectPro software for supply side configurations.



5-year warranty

Union Technical Specifications

Fluid	chilled or hot water, 60% glycol
Sizes	½", ¾", 1", 1¼", 1½", 2"
Materials:	
Body	forged brass
Union nut	forged brass
Tailpiece	forged brass
O-ring	EPDM
Readout port body & cap	extruded brass
Readout port seal	Nordel
Pressure/temperature ratings:	
½...2"	600 psi
Component temperature	250°F maximum
Fluid temperature range	0...250°F [-18...+120°C]

Manual Balance Valve Technical Specifications

Fluid	chilled or hot water, 60% glycol
Sizes	½", ¾", 1", 1¼", 1½", 2"
Materials:	
Body	forged brass
Ball	chrome plated/forged brass
Stem	extruded brass
Union	forged brass
Tailpiece	forged brass
Gland nut	extruded brass
Seats & packing	virgin PTFE
O-rings	Viton
Venturi	extruded brass
Readout port body & cap	extruded brass
Readout port seal	Nordel
Memory stop	forged brass
Pressure/temperature ratings:	
½...2"	400 psi
Component temperature	300°F maximum
Fluid temperature range	0...250°F [-18...+120°C]
Leakage	0%

Strainer Technical Specifications

Fluid	chilled or hot water, 60% glycol
Sizes	½", ¾", 1", 1¼", 1½", 2"
Materials:	
Body	forged brass
Union nut	forged brass
Ball	chrome plated/forged brass
Stem & gland nut	forged brass
Tailpiece	forged brass
Seals & packing	PTFE
Stem o-rings	Viton
Strainer screen	304 stainless steel / 20 mesh standard
Readout port body & cap	extruded brass
Readout port seal	Nordel
Pressure/temperature ratings:	
½...2"	600 psi
Component temperature	325°F maximum
Fluid temperature range	0...250°F [-18...+120°C]
Leakage	0%

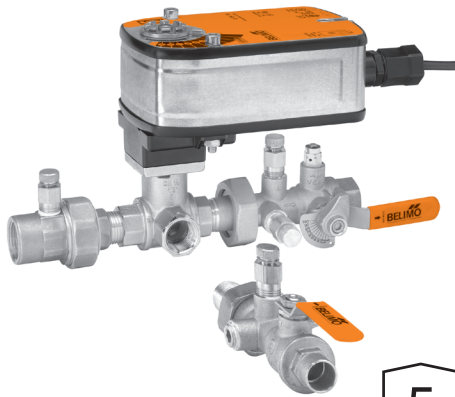
Isolation Valve Technical Specifications

Fluid	chilled or hot water, 60% glycol
Sizes	½", ¾", 1", 1¼", 1½", 2"
Materials:	
Body	forged brass
Gland nut	extruded brass
Ball	chrome plated/hot forged brass
Stem	extruded brass
Union nut	forged brass
Tailpiece	forged brass
Seats	virgin PTFE
Packing	virgin PTFE
Stem o-rings	Viton
Readout port body & cap	extruded brass
Readout port seal	Nordel
Pressure/temperature ratings:	
½...¾"	600 psi
1...2"	500 psi
Component temperature	300°F maximum
Fluid temperature range	0...250°F [-18...+120°C]
Leakage	0%

Hose Technical Specifications

External braiding	stainless steel AISI 304
Crimping ferrules	stainless steel AISI 304
Connectors	machined brass
Fiber gasket	BA-U fiber washer
Core	formulated EPDM
Operating & burst pressure rating:	
½"	375 psi operating *400 psi <195°F [90°C]
	1500 psi burst pressure
¾"	300 psi operating *400 psi <195°F [90°C]
	1200 psi burst pressure
1"	225 psi operating
	900 psi burst pressure
1¼"	200 psi operating
	800 psi burst pressure
1½"	175 psi operating
	600 psi burst pressure
2"	150 psi operating
	500 psi burst pressure
Component temp.	-5...+230°F [-20...+110°C]
	less than 41°F with use of glycol additive.

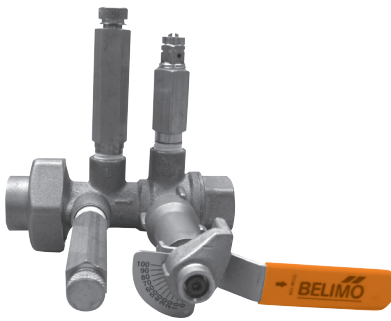
Note: Fluid temperature may be limited by the hose rating



5-year warranty

COMPONENT ORDER NOMENCLATURE

EXAMPLE:	311	3114	3111	5
P3	Union PPU311	MBV PPL3114	Strainer PPS3111	Hose PHOSE5



Extension Packages Include:

- Extended handle for Manual Balance Valve, Isolation Valve and Strainer
- Extended P/T ports for Union, Manual Balance Valve, Strainer or Isolation Valve
- Extended air vent for Manual Balance Valve and Isolation Valve

All combinations of reorder numbers are not reflected. Please use the nomenclature or download the Select-Pro software at www.belimo.ca to configure other possible combinations.

** Manual Balance Valve require flow consideration for proper selection. Reference 17-1 or Select-Pro for flow ranges.

Please Note: For return policy, refer to Piping Package section in Terms and Conditions.

* Contains Non-Standard Items

PIPING PACKAGE SMARTCODE (CCV)			UNION		MANUAL BALANCE VALVE**		STRAINER		LIST PRICE
Piping Package Model # (3-way CCV) without hose	Valve Nominal Size		Body End/ Tailpiece End		Body End/ Tailpiece End		Body End/ Tailpiece End		
	Inches	DN [mm]							
P3 111 1111 1111 0	½	15	F-NPT/M-NPT	F-NPT/M-NPT	F-NPT/M-NPT	F-NPT/M-NPT	F-NPT/F-NPT	\$684	
P3 121 1211 1212 0	½	15	Sweat/M-NPT	Sweat/M-NPT	Sweat/M-NPT	Sweat/M-NPT	Sweat/Sweat	\$692	
P3 131 1111 1113 0	½	15	M-NPT/M-NPT	F-NPT/M-NPT	F-NPT/M-NPT	F-NPT/M-NPT	F-NPT/M-NPT	\$684	
P3 11B 11B1 11B3 0*	½	15	Press/M-NPT	Press/M-NPT	Press/M-NPT	Press/M-NPT	Press/F-NPT	\$843	
P3 211 2111 2111 0	¾	20	F-NPT/M-NPT	F-NPT/M-NPT	F-NPT/M-NPT	F-NPT/M-NPT	F-NPT/F-NPT	\$770	
P3 221 2211 2212 0	¾	20	Sweat/M-NPT	Sweat/M-NPT	Sweat/M-NPT	Sweat/M-NPT	Sweat/Sweat	\$770	
P3 231 2111 2113 0	¾	20	M-NPT/M-NPT	F-NPT/M-NPT	F-NPT/M-NPT	F-NPT/M-NPT	F-NPT/M-NPT	\$770	
P3 21B 21B1 21B3 0*	¾	20	Press/M-NPT	Press/M-NPT	Press/M-NPT	Press/M-NPT	Press/F-NPT	\$1,047	
P3 311 3114 3111 0	1	25	F-NPT/M-NPT	F-NPT/M-NPT	F-NPT/M-NPT	F-NPT/M-NPT	F-NPT/F-NPT	\$1,042	
P3 321 3214 3212 0	1	25	Sweat/M-NPT	Sweat/M-NPT	Sweat/M-NPT	Sweat/M-NPT	Sweat/Sweat	\$1,042	
P3 331 3114 3113 0	1	25	M-NPT/M-NPT	F-NPT/M-NPT	F-NPT/M-NPT	F-NPT/M-NPT	F-NPT/M-NPT	\$1,042	
P3 31B 31B4 31B3 0*	1	25	F-NPT/M-NPT	Press/M-NPT	Press/M-NPT	Press/M-NPT	Press/F-NPT	\$1,427	
P3 B11 B11A B111 0*	1¼	32	F-NPT/M-NPT	F-NPT/M-NPT	F-NPT/M-NPT	F-NPT/M-NPT	F-NPT/F-NPT	\$1,779	
P3 B21 B21A B212 0*	1¼	32	Sweat/M-NPT	Sweat/M-NPT	Sweat/M-NPT	Sweat/M-NPT	Sweat/Sweat	\$1,779	
P3 B31 B11A B113 0*	1¼	32	M-NPT/M-NPT	F-NPT/M-NPT	F-NPT/M-NPT	F-NPT/M-NPT	F-NPT/M-NPT	\$1,779	
P3 B1B B1BA B1B3 0*	1¼	32	Press/M-NPT	Press/M-NPT	Press/M-NPT	Press/M-NPT	Press/F-NPT	\$2,780	
P3 A11 A11B A111 0*	1½	40	F-NPT/M-NPT	F-NPT/M-NPT	F-NPT/M-NPT	F-NPT/M-NPT	F-NPT/F-NPT	\$2,360	
P3 A21 A21B A212 0*	1½	40	Sweat/M-NPT	Sweat/M-NPT	Sweat/M-NPT	Sweat/M-NPT	Sweat/Sweat	\$2,185	
P3 A31 A11B A113 0*	1½	40	M-NPT/M-NPT	F-NPT/M-NPT	F-NPT/M-NPT	F-NPT/M-NPT	F-NPT/M-NPT	\$2,360	
P3 A1B A1BB A1B3 0*	1½	40	Press/M-NPT	Press/M-NPT	Press/M-NPT	Press/M-NPT	Press/F-NPT	\$3,413	
P3 C11 C11C C111 0*	2	50	F-NPT/M-NPT	F-NPT/M-NPT	F-NPT/M-NPT	F-NPT/M-NPT	F-NPT/F-NPT	\$3,084	
P3 C21 C21C C212 0*	2	50	Sweat/M-NPT	Sweat/M-NPT	Sweat/M-NPT	Sweat/M-NPT	Sweat/Sweat	\$3,079	
P3 C31 C11C C113 0*	2	50	M-NPT/M-NPT	F-NPT/M-NPT	F-NPT/M-NPT	F-NPT/M-NPT	F-NPT/M-NPT	\$3,084	
P3 C1B C1BC C1B3 0*	2	50	F-NPT/M-NPT	Press/M-NPT	Press/M-NPT	Press/M-NPT	Press/F-NPT	\$5,510	

PIPING PACKAGE SMARTCODE (CCV)			UNION		MANUAL BALANCE VALVE**		STRAINER		LIST PRICE
Piping Package Model # (3-way CCV) with short hose	Valve Nominal Size		Body End/ Tailpiece End		Body End/ Tailpiece End		Body End/ Tailpiece End		
	Inches	DN [mm]							
P3 111 1111 1111 1	½	15	F-NPT/M-NPT	F-NPT/M-NPT	F-NPT/M-NPT	F-NPT/M-NPT	F-NPT/F-NPT	\$810	
P3 111 1211 1211 1	½	15	F-NPT/M-NPT	Sweat/M-NPT	Sweat/M-NPT	Sweat/M-NPT	Sweat/F-NPT	\$818	
P3 111 11B1 11B3 1*	½	15	F-NPT/M-NPT	Press/M-NPT	Press/M-NPT	Press/M-NPT	Press/F-NPT	\$906	
P3 211 2111 2111 3	¾	20	F-NPT/M-NPT	F-NPT/M-NPT	F-NPT/M-NPT	F-NPT/M-NPT	F-NPT/F-NPT	\$974	
P3 211 2211 2211 3	¾	20	F-NPT/M-NPT	Sweat/M-NPT	Sweat/M-NPT	Sweat/M-NPT	Sweat/F-NPT	\$974	
P3 211 21B1 21B3 3*	¾	20	F-NPT/M-NPT	Press/M-NPT	Press/M-NPT	Press/M-NPT	Press/F-NPT	\$1,152	
P3 311 3114 3111 5	1	25	F-NPT/M-NPT	F-NPT/M-NPT	F-NPT/M-NPT	F-NPT/M-NPT	F-NPT/F-NPT	\$1,430	
P3 311 3214 3211 5	1	25	F-NPT/M-NPT	Sweat/M-NPT	Sweat/M-NPT	Sweat/M-NPT	Sweat/F-NPT	\$1,430	
P3 311 31B4 31B3 5*	1	25	F-NPT/M-NPT	Press/M-NPT	Press/M-NPT	Press/M-NPT	Press/F-NPT	\$1,671	
P3 B11 B11A B111 A*	1¼	32	F-NPT/M-NPT	F-NPT/M-NPT	F-NPT/M-NPT	F-NPT/M-NPT	F-NPT/F-NPT	\$2,475	
P3 B11 B21A B211 A*	1¼	32	F-NPT/M-NPT	Sweat/M-NPT	Sweat/M-NPT	Sweat/M-NPT	Sweat/Sweat	\$2,475	
P3 B11 B1BA B1B3 A*	1¼	32	F-NPT/M-NPT	Press/M-NPT	Press/M-NPT	Press/M-NPT	Press/F-NPT	\$3,112	
P3 A11 A11B A111 C*	1½	40	F-NPT/M-NPT	F-NPT/M-NPT	F-NPT/M-NPT	F-NPT/M-NPT	F-NPT/F-NPT	\$3,356	
P3 A11 A21B A211 C*	1½	40	F-NPT/M-NPT	Sweat/M-NPT	Sweat/M-NPT	Sweat/M-NPT	Sweat/Sweat	\$3,181	
P3 A11 A1BB A1B3 C*	1½	40	F-NPT/M-NPT	Press/M-NPT	Press/M-NPT	Press/M-NPT	Press/F-NPT	\$3,903	
P3 C11 C11C C111 F*	2	50	F-NPT/M-NPT	F-NPT/M-NPT	F-NPT/M-NPT	F-NPT/M-NPT	F-NPT/F-NPT	\$5,206	
P3 C11 C21C C211 F*	2	50	F-NPT/M-NPT	Sweat/M-NPT	Sweat/M-NPT	Sweat/M-NPT	Sweat/Sweat	\$5,201	
P3 C11 C1BC C1B3 F*	2	50	F-NPT/M-NPT	Press/M-NPT	Press/M-NPT	Press/M-NPT	Press/F-NPT	\$6,804	

PIPING PACKAGE SMARTCODE (CCV)			UNION		MANUAL BALANCE VALVE**		STRAINER		LIST PRICE
Piping Package Model # (3-way CCV) with long hose	Valve Nominal Size		Body End/ Tailpiece End		Body End/ Tailpiece End		Body End/ Tailpiece End		
	Inches	DN [mm]							
P3 111 1111 1111 2	½	15	F-NPT/M-NPT	F-NPT/M-NPT	F-NPT/M-NPT	F-NPT/M-NPT	F-NPT/F-NPT	\$848	
P3 111 1211 1211 2	½	15	F-NPT/M-NPT	Sweat/M-NPT	Sweat/M-NPT	Sweat/M-NPT	Sweat/F-NPT	\$856	
P3 111 11B1 11B3 2*	½	15	F-NPT/M-NPT	Press/M-NPT	Press/M-NPT	Press/M-NPT	Press/F-NPT	\$944	
P3 211 2111 2111 4	¾	20	F-NPT/M-NPT	F-NPT/M-NPT	F-NPT/M-NPT	F-NPT/M-NPT	F-NPT/F-NPT	\$1,034	
P3 211 2211 2211 4	¾	20	F-NPT/M-NPT	Sweat/M-NPT	Sweat/M-NPT	Sweat/M-NPT	Sweat/F-NPT	\$1,034	
P3 211 21B1 21B3 4*	¾	20	F-NPT/M-NPT	Press/M-NPT	Press/M-NPT	Press/M-NPT	Press/F-NPT	\$1,212	
P3 311 3114 3111 6	1	25	F-NPT/M-NPT	F-NPT/M-NPT	F-NPT/M-NPT	F-NPT/M-NPT	F-NPT/F-NPT	\$1,494	
P3 311 3214 3211 6	1	25	F-NPT/M-NPT	Sweat/M-NPT	Sweat/M-NPT	Sweat/M-NPT	Sweat/F-NPT	\$1,494	
P3 311 31B4 31B3 6*	1	25	F-NPT/M-NPT	Press/M-NPT	Press/M-NPT	Press/M-NPT	Press/F-NPT	\$1,735	
P3 B11 B11A B111 B*	1¼	32	F-NPT/M-NPT	F-NPT/M-NPT	F-NPT/M-NPT	F-NPT/M-NPT	F-NPT/F-NPT	\$2,685	
P3 B11 B21A B211 B*	1¼	32	F-NPT/M-NPT	Sweat/M-NPT	Sweat/M-NPT	Sweat/M-NPT	Sweat/Sweat	\$2,685	
P3 B11 B1BA B1B3 B*	1¼	32	F-NPT/M-NPT	Press/M-NPT	Press/M-NPT	Press/M-NPT	Press/F-NPT	\$3,322	
P3 A11 A11B A111 D*	1½	40	F-NPT/M-NPT	F-NPT/M-NPT	F-NPT/M-NPT	F-NPT/M-NPT	F-NPT/F-NPT	\$3,746	
P3 A11 A21B A211 D*	1½	40	F-NPT/M-NPT	Sweat/M-NPT	Sweat/M-NPT	Sweat/M-NPT	Sweat/Sweat	\$3,571	
P3 A11 A1BB A1B3 D*	1½	40	F-NPT/M-NPT	Press/M-NPT	Press/M-NPT	Press/M-NPT	Press/F-NPT	\$4,293	
P3 C11 C11C C111 G*	2	50	F-NPT/M-NPT	F-NPT/M-NPT	F-NPT/M-NPT	F-NPT/M-NPT	F-NPT/F-NPT	\$5,552	
P3 C11 C21C C211 G*	2	50	F-NPT/M-NPT	Sweat/M-NPT	Sweat/M-NPT	Sweat/M-NPT	Sweat/Sweat	\$5,547	
P3 C11 C1BC C1B3 G*	2	50	F-NPT/M-NPT	Press/M-NPT	Press/M-NPT	Press/M-NPT	Press/F-NPT	\$7,150	